

Date 07.10.2013
 Drawn J. Ziegleder
 Checked
 Approved



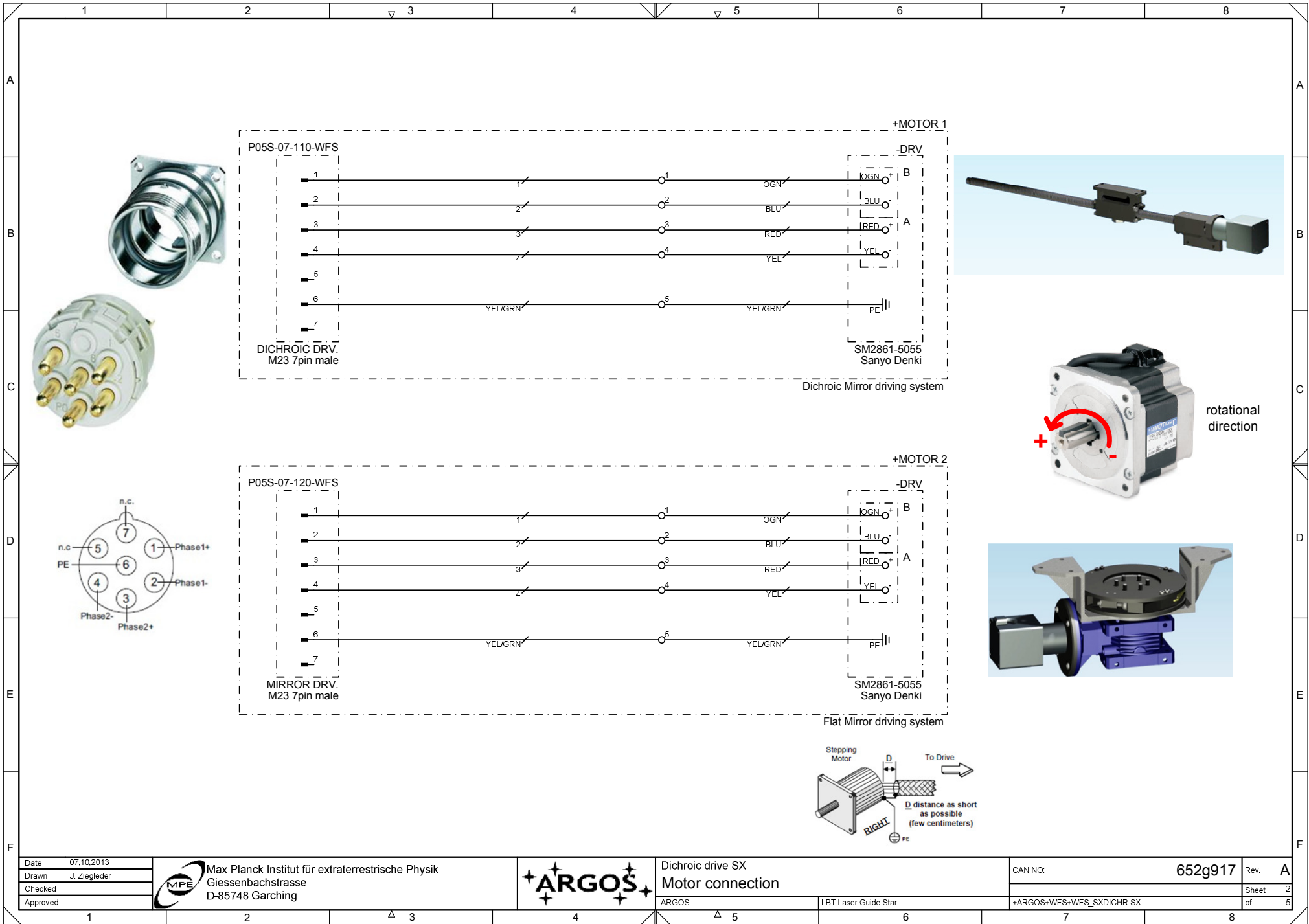
Max Planck Institut für extraterrestrische Physik
 Giessenbachstrasse
 D-85748 Garching

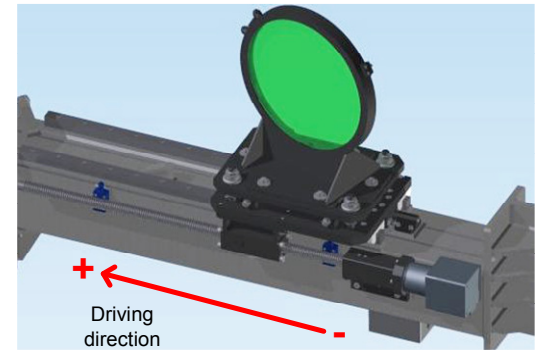
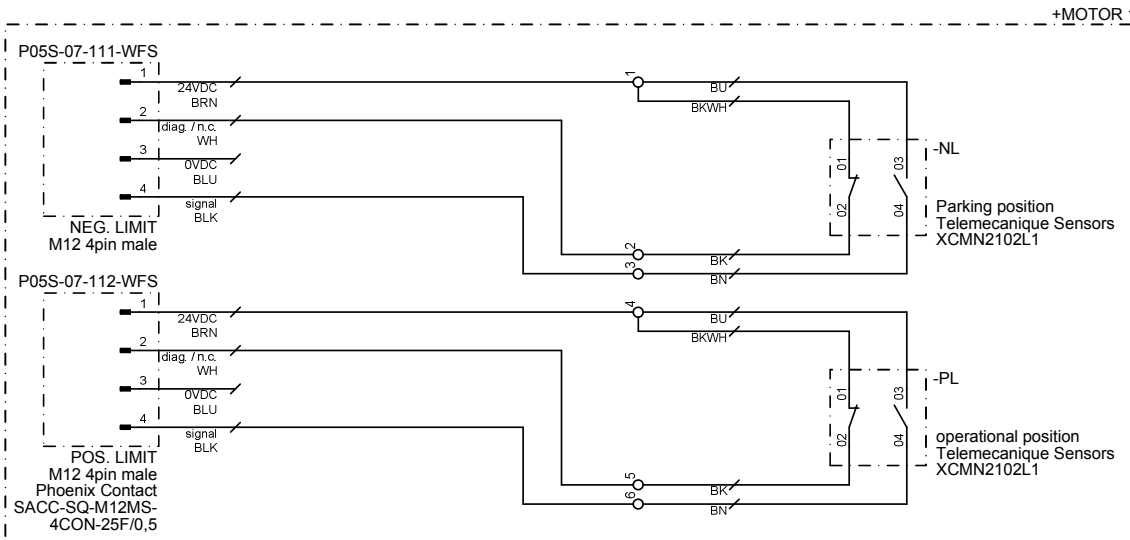


Dichroic drive SX
 Connection overview

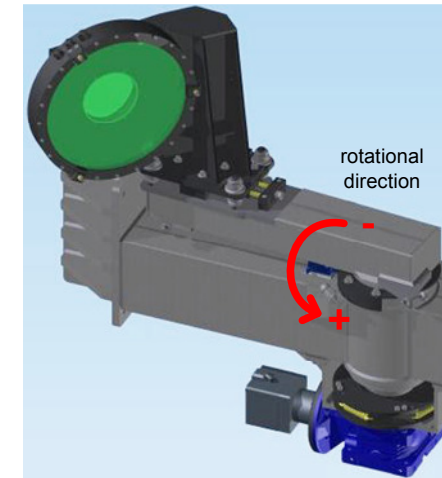
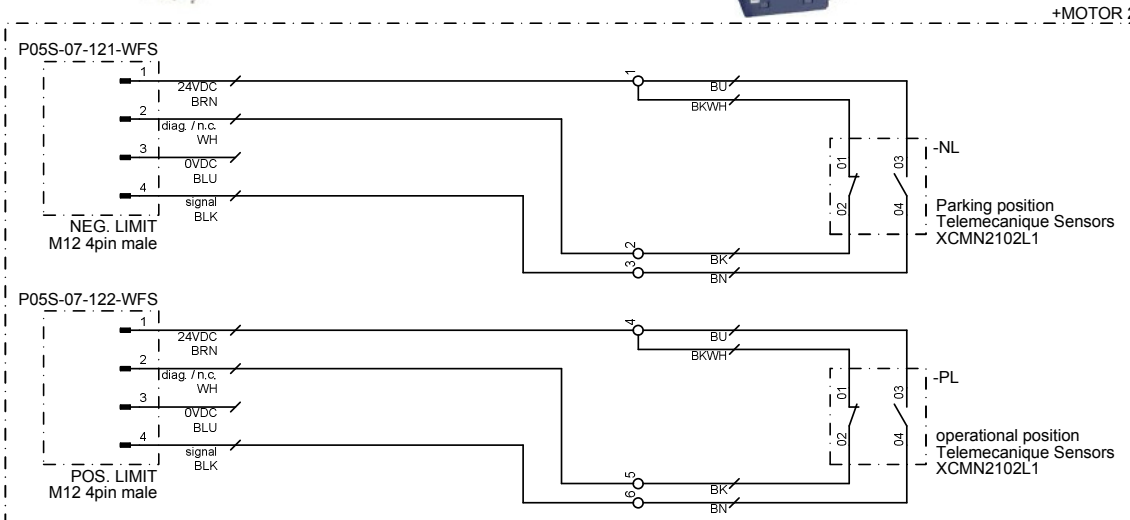
ARGOS LBT Laser Guide Star

CAN NO:	652g917	Rev.	A
+ARGOS+WFS+WFS_SX		Sheet	1
		of	5





Dichroic Mirror driving system



Flat Mirror driving system

Date 07.10.2013
 Drawn J. Ziegler
 Checked
 Approved



Max Planck Institut für extraterrestrische Physik
 Giessenbachstrasse
 D-85748 Garching



Dichroic drive SX
 Limit switch connection

ARGOS LBT Laser Guide Star

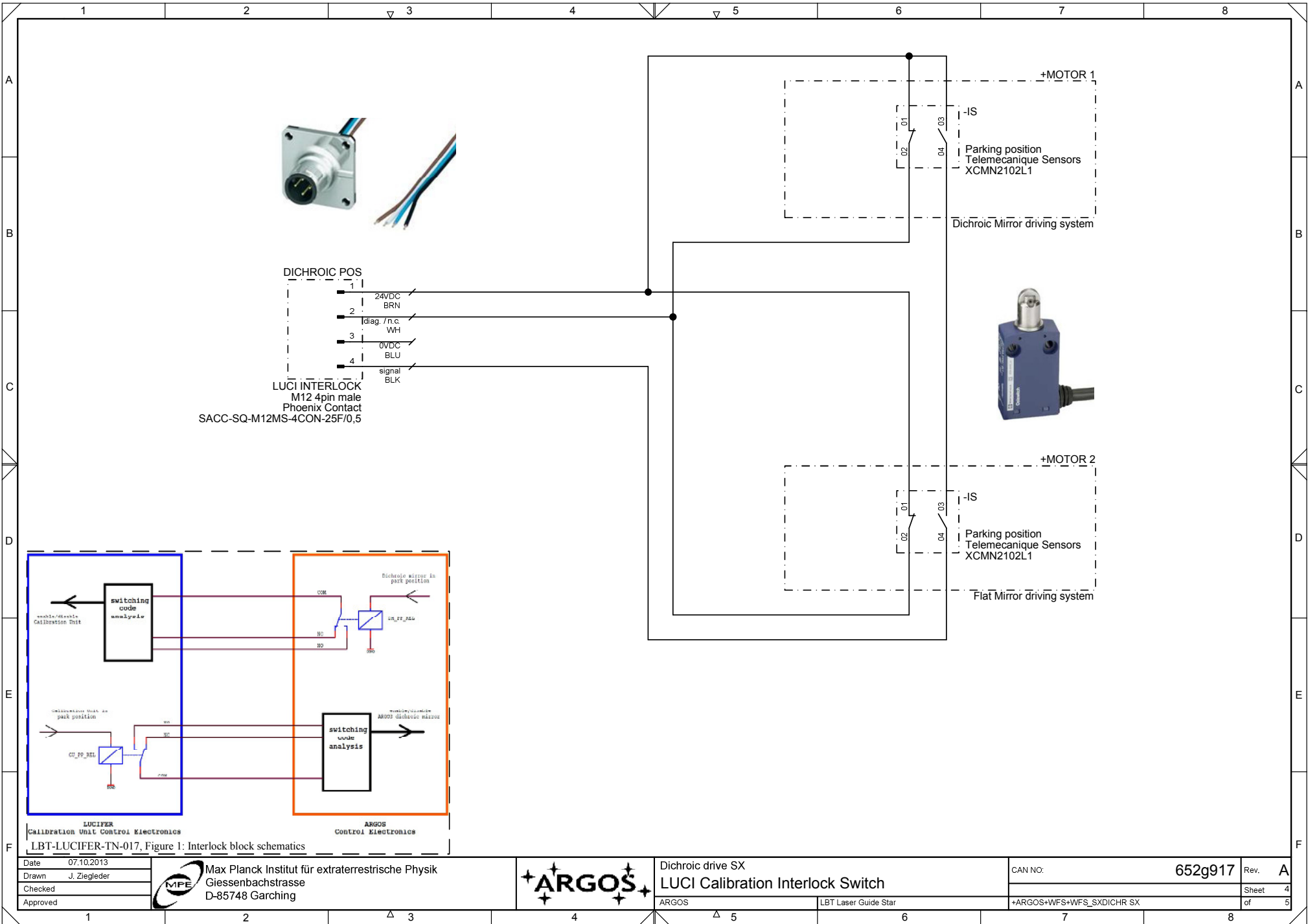
CAN NO: 652g917

Rev. A

+ARGOS+WFS+WFS_SXDICHR SX

Sheet 3

of 5



Date 07.10.2013
 Drawn J. Ziegler
 Checked
 Approved



Max Planck Institut für extraterrestrische Physik
 Giessenbachstrasse
 D-85748 Garching



Dichroic drive SX
 LUCI Calibration Interlock Switch

CAN NO: 652g917

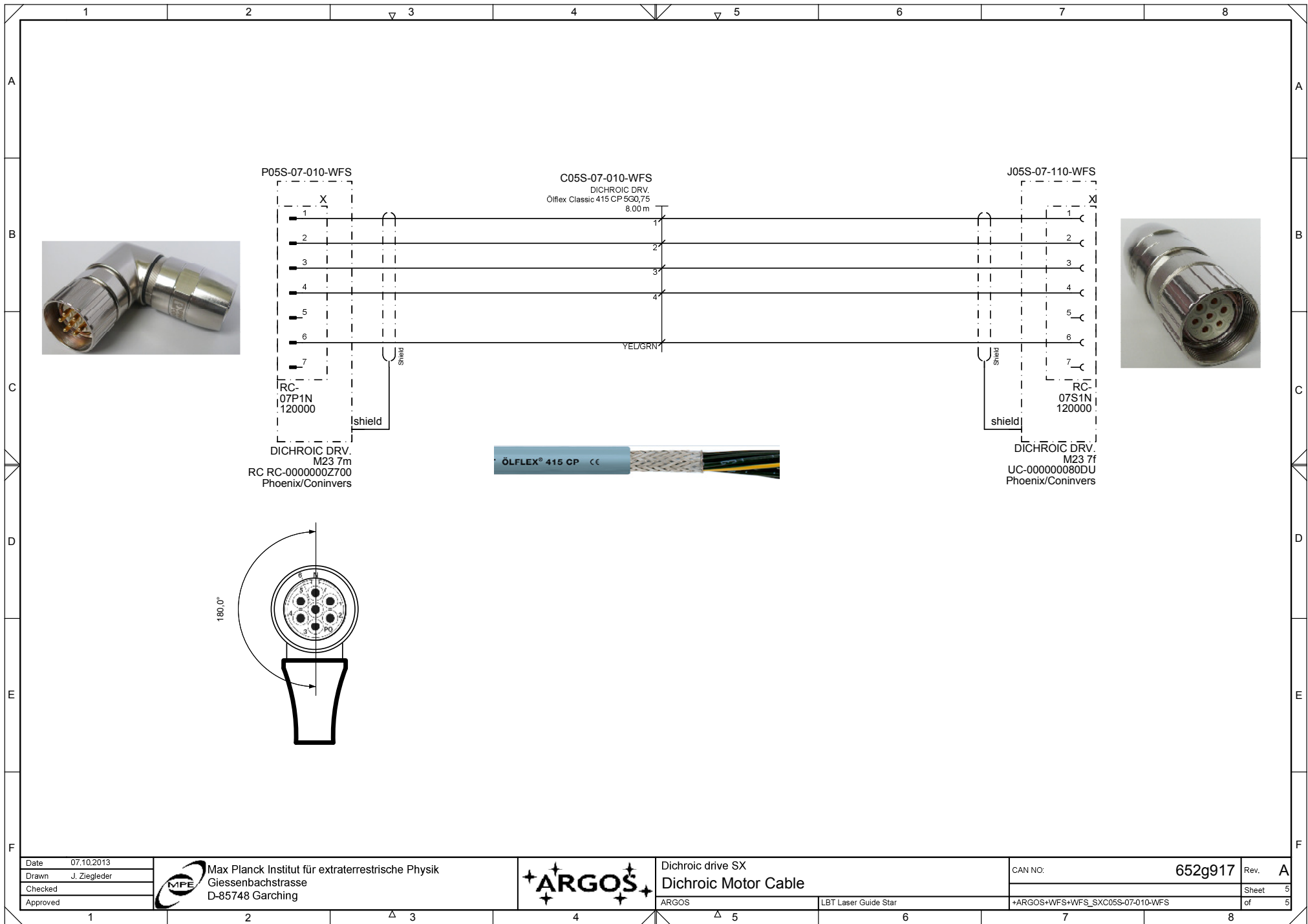
Rev. A

ARGOS LBT Laser Guide Star

+ARGOS+WFS+WFS_SXDICHR SX

Sheet 4

of 5



Date 07.10.2013
 Drawn J. Ziegler
 Checked
 Approved

MPE Max Planck Institut für extraterrestrische Physik
 Giessenbachstrasse
 D-85748 Garching



Dichroic drive SX
 Dichroic Motor Cable

ARGOS

LBT Laser Guide Star

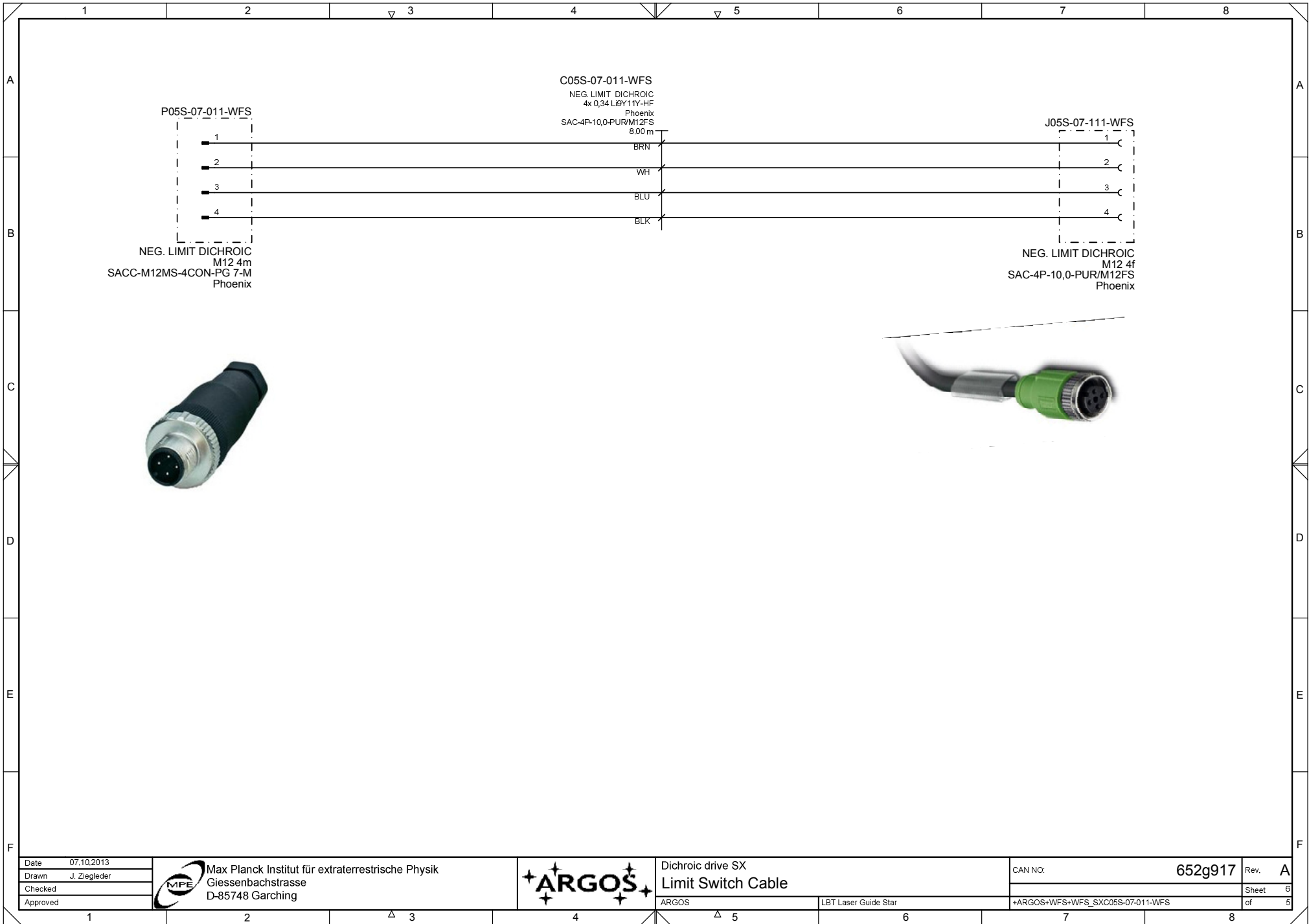
CAN NO: 652g917

Rev. A

+ARGOS+WFS+WFS_SXC05S-07-010-WFS

Sheet 5

of 5



Date	07.10.2013
Drawn	J. Ziegler
Checked	
Approved	

Max Planck Institut für extraterrestrische Physik
 Giessenbachstrasse
 D-85748 Garching



Dichroic drive SX
Limit Switch Cable
 ARGOS

CAN NO:	652g917
+ARGOS+WFS+WFS_SXC05S-07-011-WFS	

Rev.	A
Sheet	6
of	5