

Date 07.10.2013
 Drawn J. Ziegleder
 Checked
 Approved



Max Planck Institut für extraterrestrische Physik
 Giessenbachstrasse
 D-85748 Garching



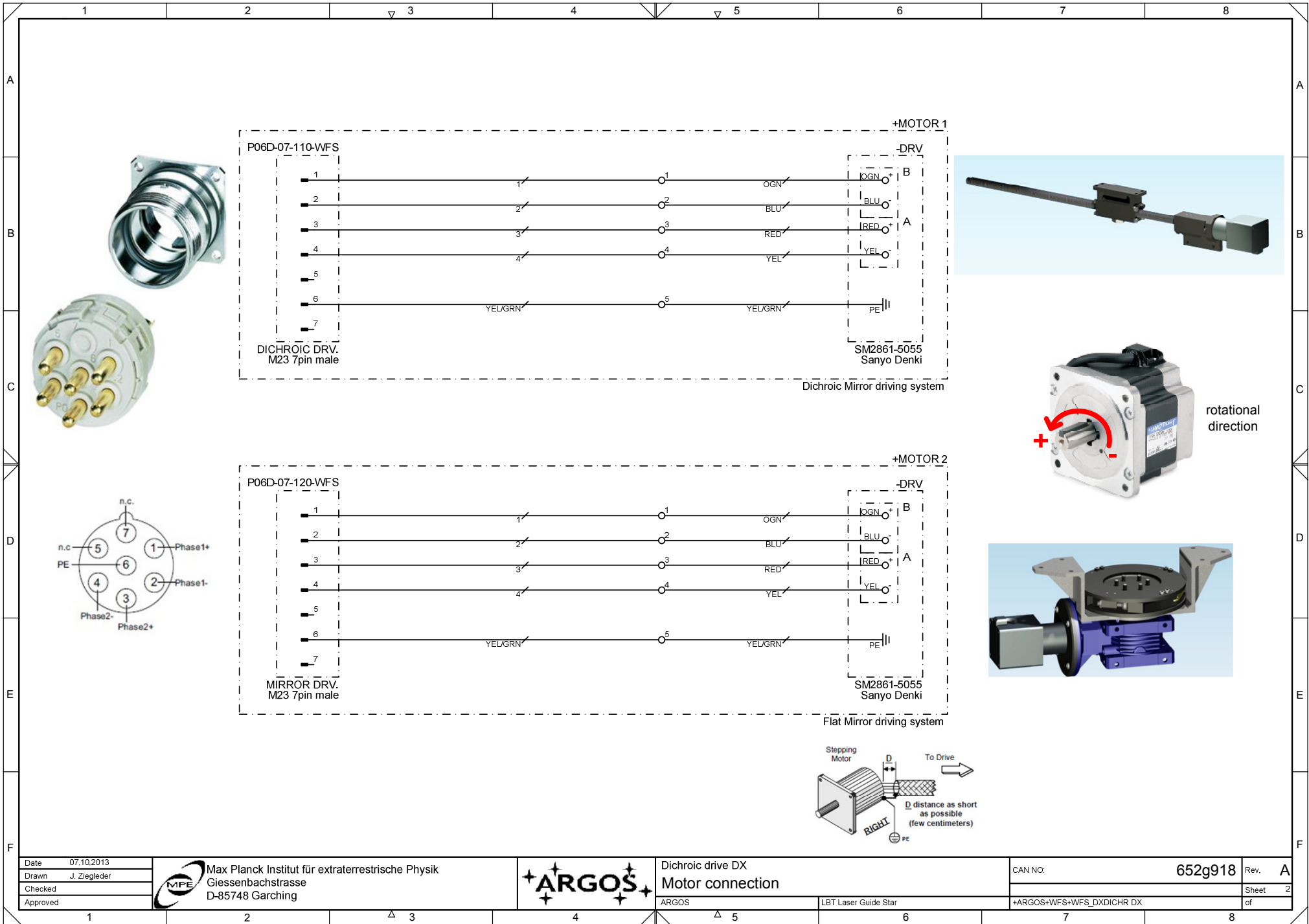
Dichroic drive DX
 Connection overview

ARGOS LBT Laser Guide Star

CAN NO: 652g918

Rev. A

+ARGOS+WFS+WFS_DX
 Sheet 1 of



Date 07.10.2013
 Drawn J. Ziegleder
 Checked
 Approved



Max Planck Institut für extraterrestrische Physik
 Giessenbachstrasse
 D-85748 Garching



Dichroic drive DX
 Motor connection

ARGOS

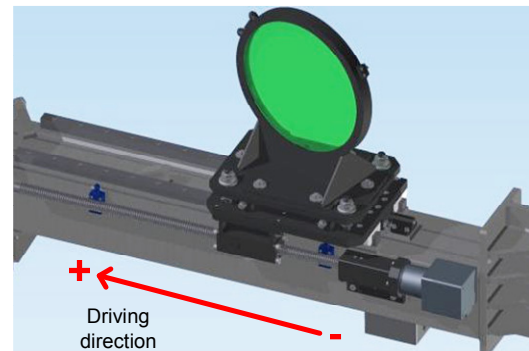
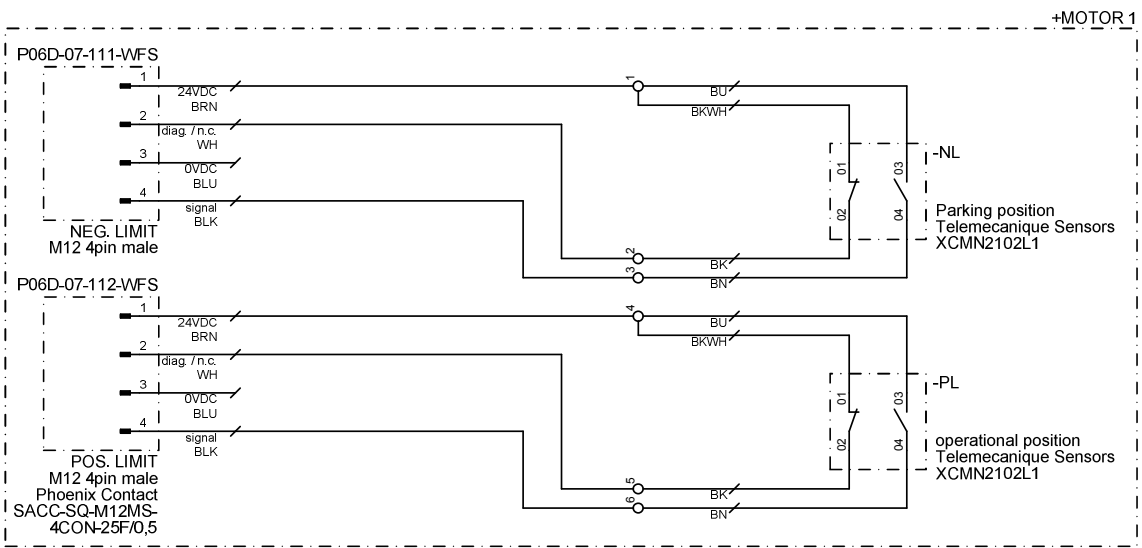
LBT Laser Guide Star

CAN NO: 652g918

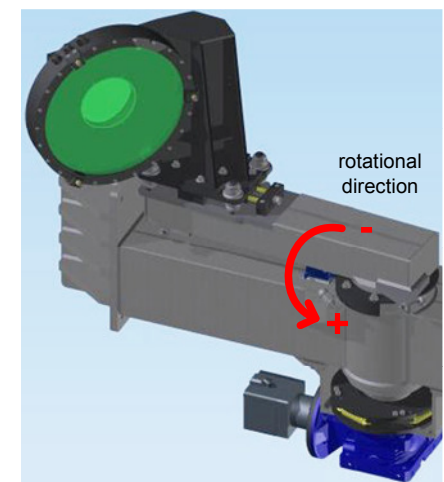
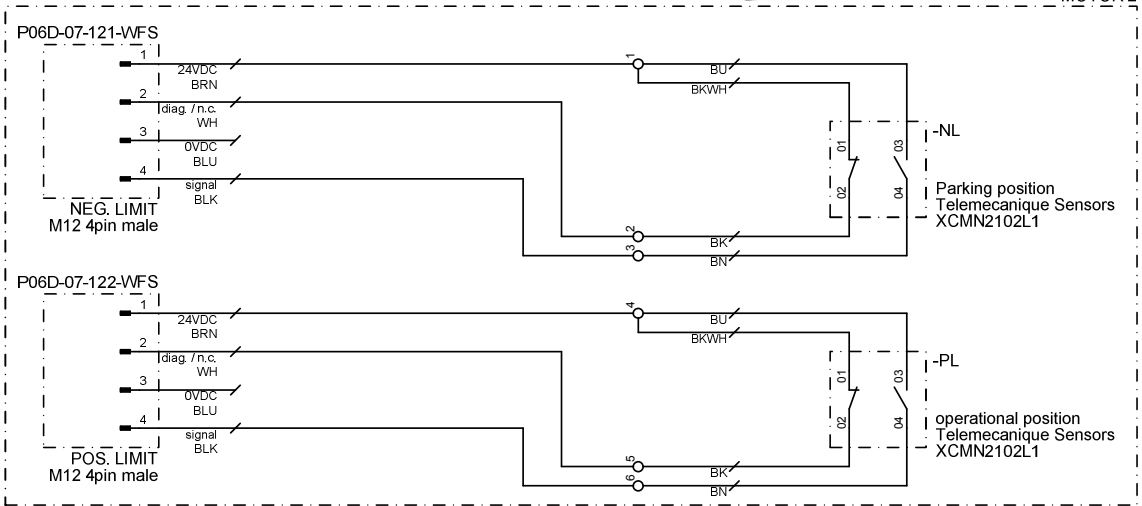
Rev. A

+ARGOS+WFS+WFS_DXIDICHR DX

Sheet 2
 of



Dichroic Mirror driving system



Flat Mirror driving system

Date 07.10.2013
 Drawn J. Ziegler
 Checked
 Approved

MPE Max Planck Institut für extraterrestrische Physik
 Giessenbachstrasse
 D-85748 Garching



Dichroic drive DX
 Limit switch connection

ARGOS

LBT Laser Guide Star

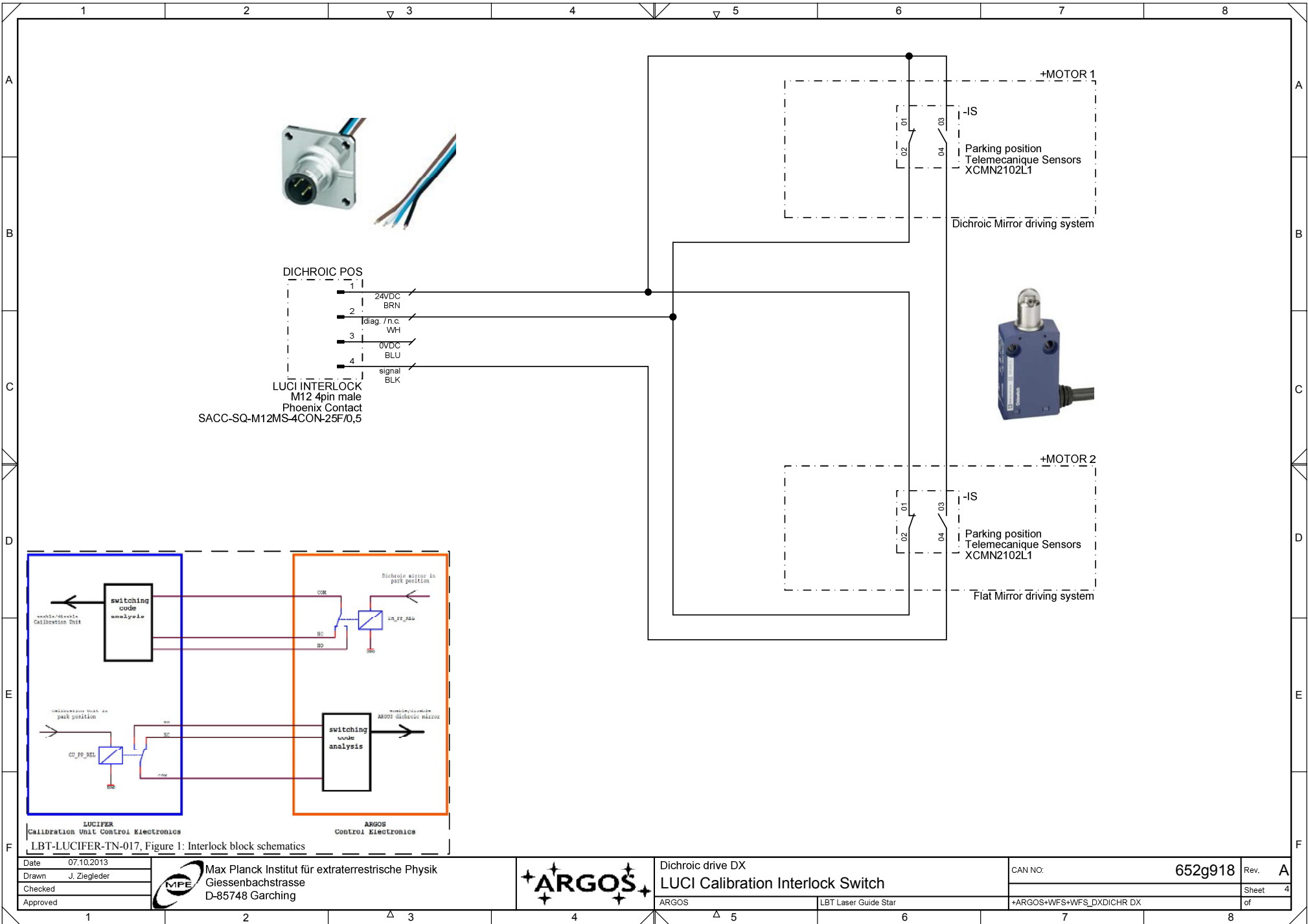
CAN NO: 652g918

Rev. A

+ARGOS+WFS+WFS_DXIDICHR DX

Sheet 3

of



Date 07.10.2013
 Drawn J. Ziegler
 Checked
 Approved

MPE Max Planck Institut für extraterrestrische Physik
 Giessenbachstrasse
 D-85748 Garching



Dichroic drive DX
 LUCI Calibration Interlock Switch
 ARGOS LBT Laser Guide Star

CAN NO: 652g918 Rev. A
 Sheet 4 of 4
 +ARGOS+WFS+WFS_DX/DICHR DX